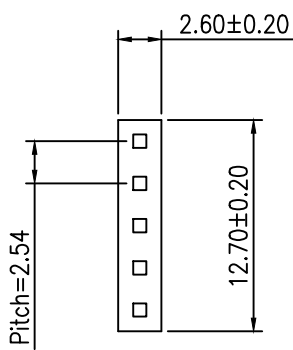
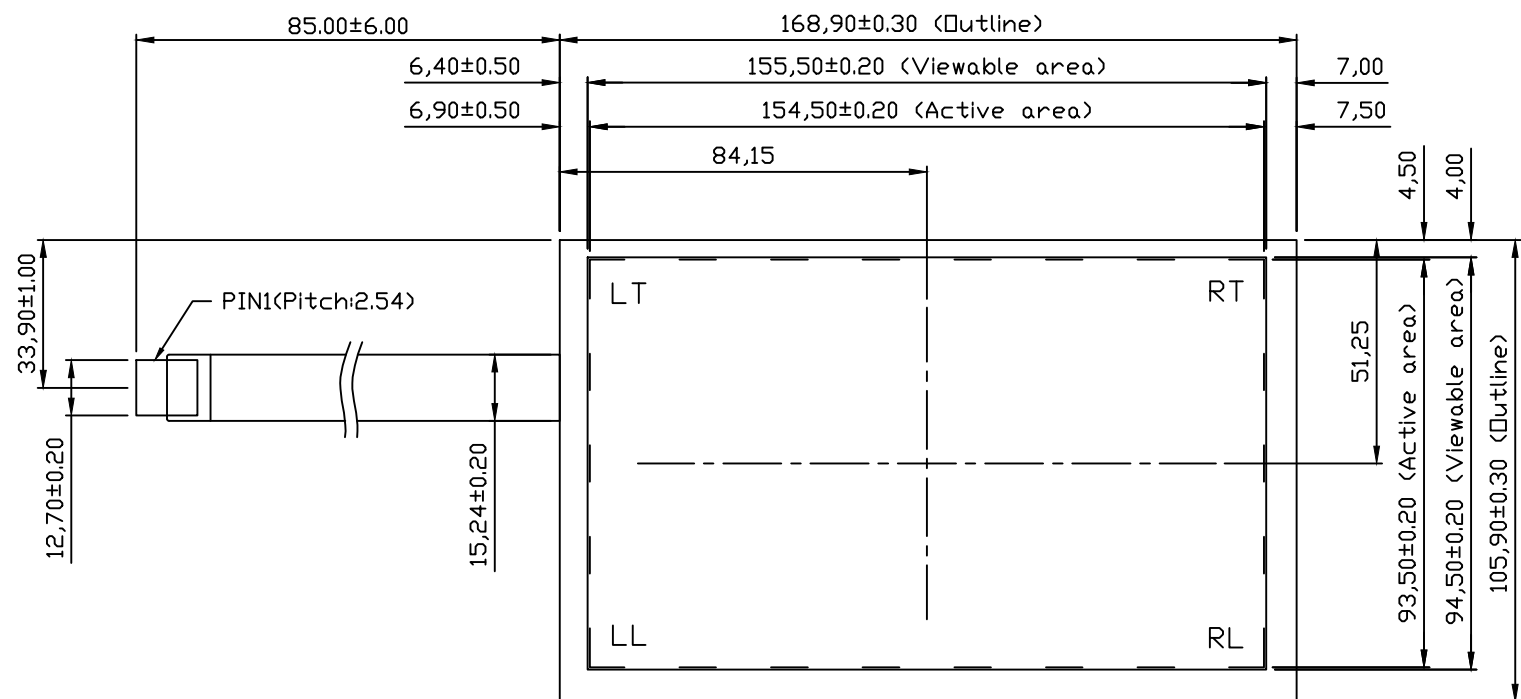


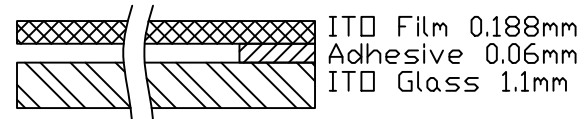
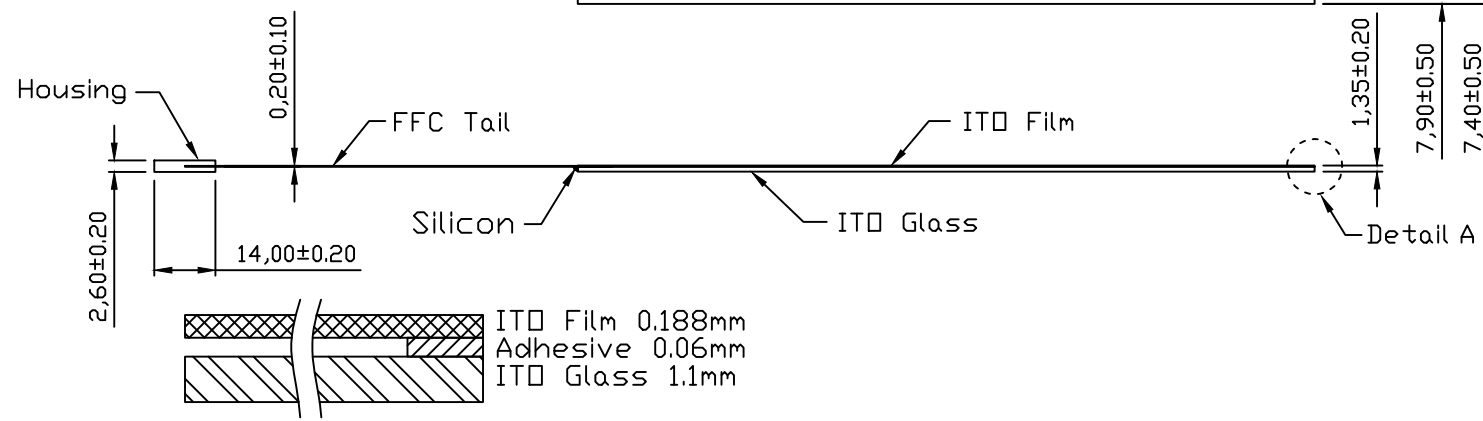
REVISIONS

REV	DESCRIPTION	DESIGN	DATE
01	INITIAL RELEASE	Eric	2014.04.17
02	DESIGN CHANGE ACTIVE AREA SIZE	Eric	2014.11.03

Connector Pinout	
Pin NO.	Designation
1	RT
2	RL
3	SG
4	LT
5	LL



HOUSING



Detail A

NOTES:
 0.D to A.A is Printed Black INK

REV	DATE	REVISED DESCRIPTIONS	DIMENSION UNIT	mm	MODEL NO.	GP-070F-5M-NB08A	CUSTOMER APPROVED	NOTE
1		DRAWN	RYAN	ISSUE DATE	2019/11/21			
2		CHECK	ERIC	SCALE	-/-			
3		APPROVED	SCDTT	CUSTOMER ID				



坤巨資訊股份有限公司
 Groovy Technology Corp.