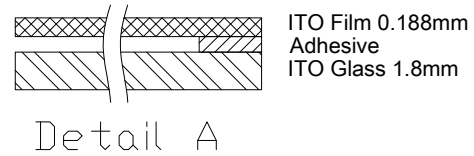
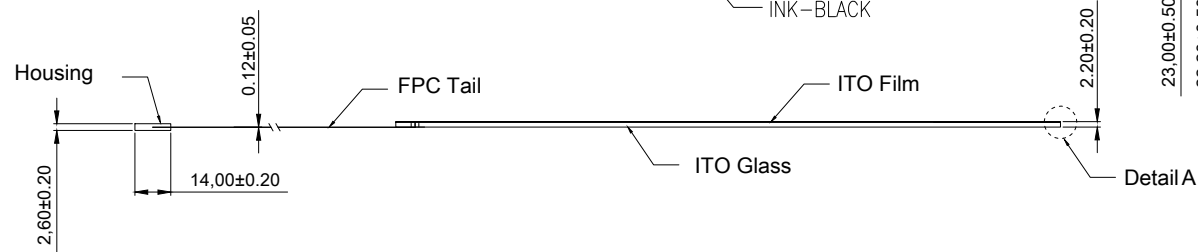
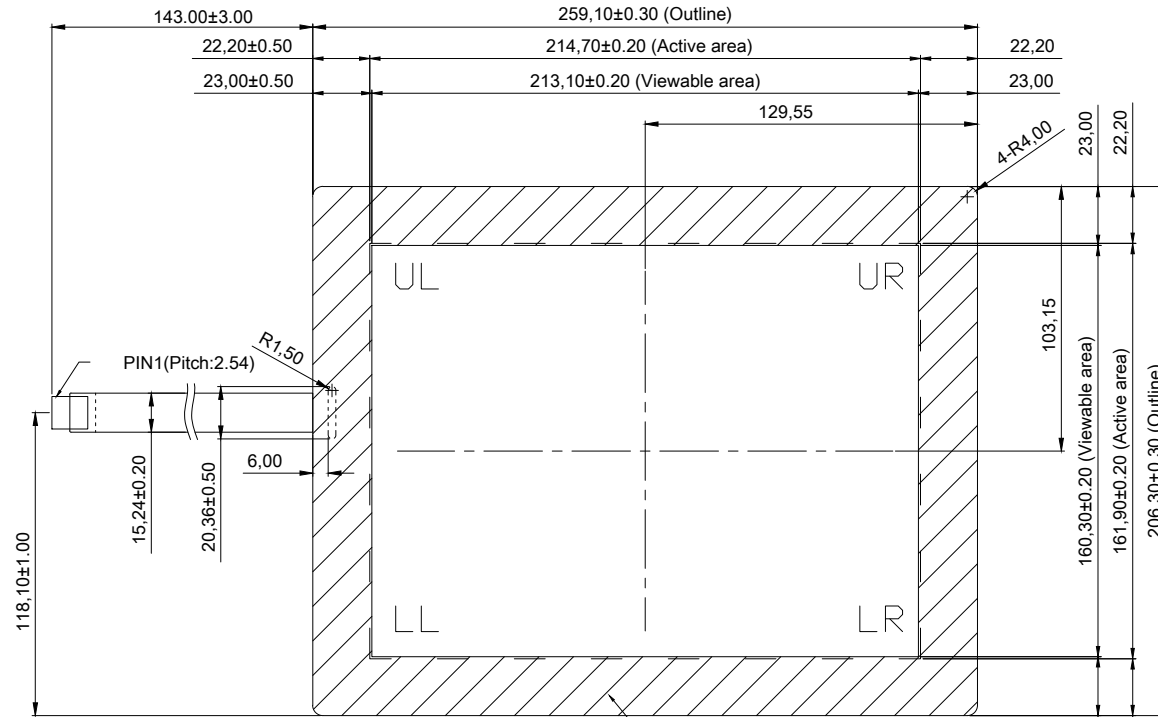


TOP VIEW

Connector Pinout	
Pin NO.	Designation
1	UR
2	LR
3	SG
4	UL
5	LL



REV.	DATE	REVISED DESCRIPTIONS	DIMENSION UNIT	mm	MODEL NO.	GP-104F-5M-NT06B	CUSTOMER APPROVED	NOTE
1		DRAWN	Gerald	ISSUE DATE	2016/04/01			
2		CHECK	Kimberley	SCALE	-/-			
3		APPROVED	SCOTT					



坤巨資訊股份有限公司
Groovy Technology Corp.