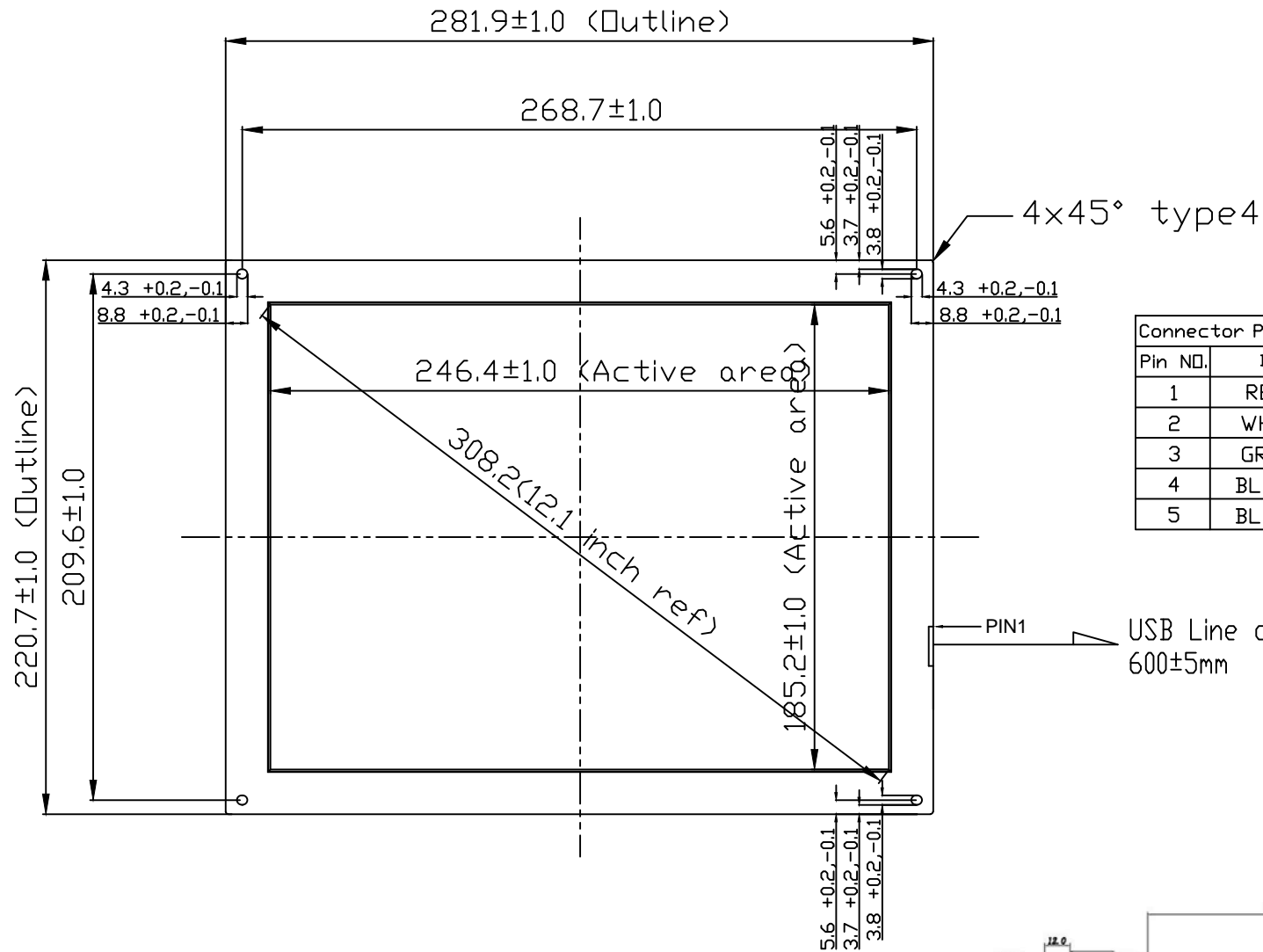
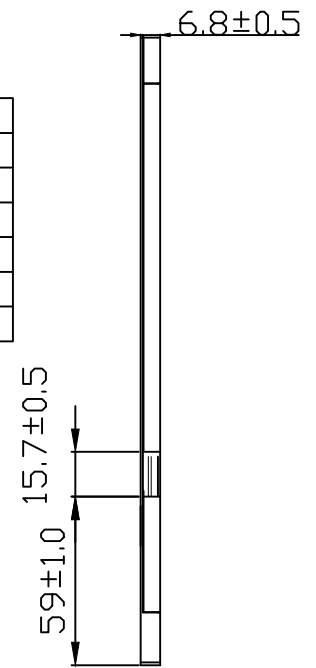


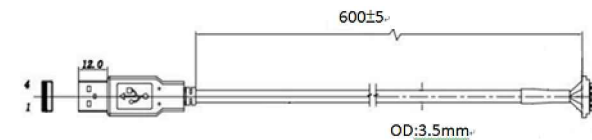
Front View



Side View



Connector Pinout	
Pin NO.	Designation
1	RED (VCC)
2	WHITE (D-)
3	GREEN (D+)
4	BLACK (GND)
5	BLACK (GND)



Connector:
A1254 (Molex 51146 5-Pin)

REV.	DATE	REVISED DESCRIPTIONS	DIMENSION UNIT	mm	MODEL NO.	GP-120F-IR-G3F01U	CUSTOMER APPROVED	NOTE
1			DRAWN	EVEN	ISSUE DATE	2016/08/17		
2			CHECK	GERALD		SCALE	-/-	
3			APPROVED	SCOTT		CUSTOMER ID		



坤巨資訊股份有限公司
Groovy Technology Corp.