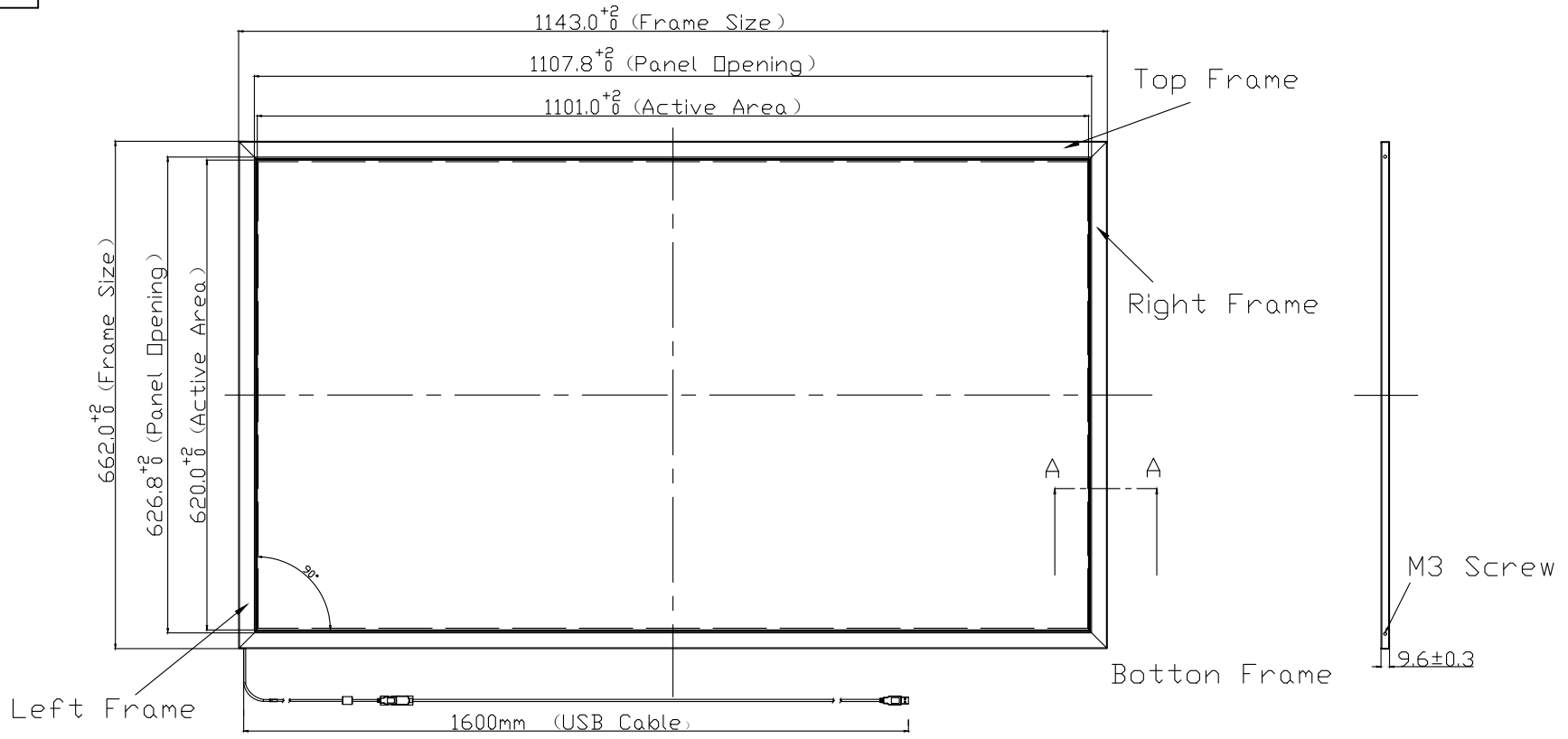
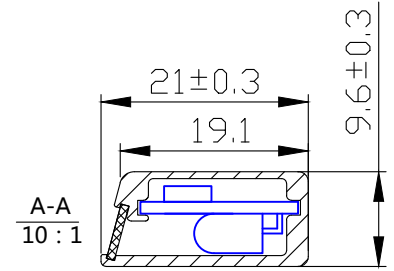


REVISIONS			
REV	DESCRIPTION	DESIGN	DATE
01	INITIAL RELEASE	Scott	2017.09.28
02	Adjust the length of cable.	Scott	2017.10.12



Technical Specification:

1. Smooth surface without scratches.
2. Flame must be flat without deformation.
3. Splicing gap less than 0.5mm
4. Height difference between the segments less than 0.3mm



Tolerances(Hardware) (Unless otherwise stated)			
0--100	±0.1	100--200	±0.15
200--300	±0.2	300	±0.3
Tolerances Angle			±2°

REV	DATE	REVISED DESCRIPTIONS	DIMENSION UNIT	mm	MODEL NO.	GP-500F-IR-X0J01U	CUSTOMER APPROVED	NOTE
1		DRAWN	SCOTT	ISSUE DATE	2017/10/12			
2		CHECK	HANK		SCALE	-/-		
3		APPROVED	GERALD		CUSTOMER ID			



坤巨資訊股份有限公司  
Groovy Technology Corp.